



FIRST CONTACT - JUMBO ALIEN QUILT (40" x 50")

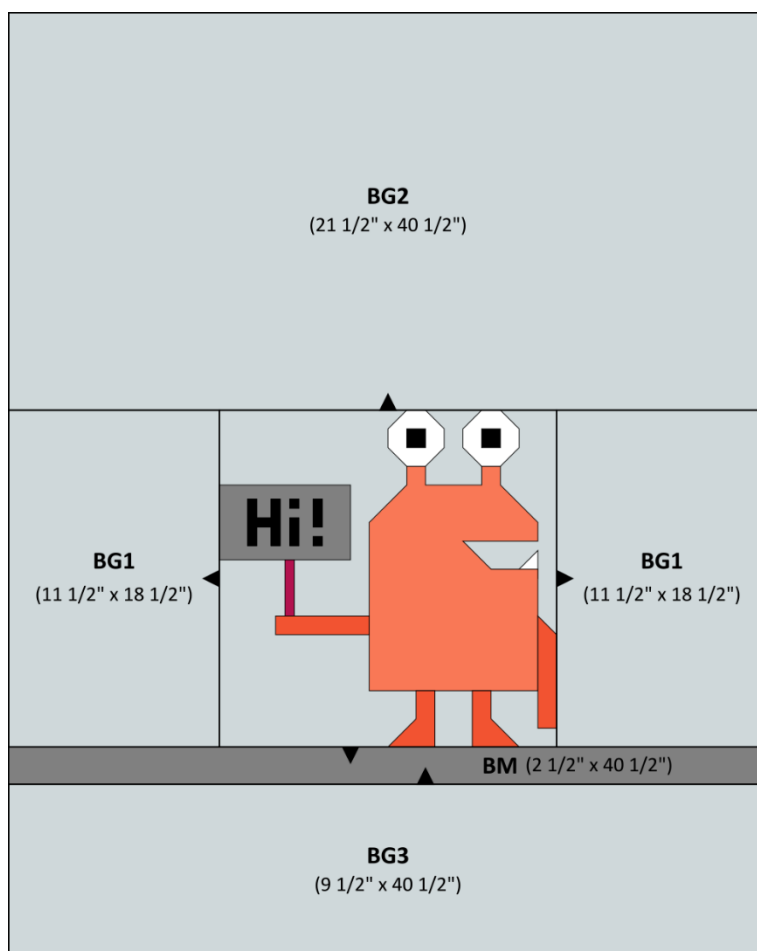
Cutting instructions

In addition to the pieces shown in Fig. 21 and Fig. 22 of the *First Contact* quilt pattern (you can get it [here](#)), prepare the following pieces:

	Pieces	Dimensions	Quantity
Beam	BM	2 1/2" x 40 1/2"	1
Background	BG1	11 1/2" x 18 1/2"	2
	BG2	21 1/2" x 40 1/2"	1
	BG3	9 1/2" x 40 1/2"	1

Quilt assembly

1. Make a jumbo alien block as described in the *First Contact* quilt pattern.
2. RST, sew a **BG1** piece to each the left and right side of your jumbo alien block from step 1 and press your seams towards the **BG1** pieces.
3. RST, sew your **BG2** piece to the top of your alien section from step 2 and press your seam towards the **BG2** piece.
4. RST, sew your **BM** piece to the top of your **BG3** piece and press your seam towards the **BM** piece.
5. RST, sew your beam section from step 4 to the bottom of your alien section from step 3 and again, press your seam towards the **BM** piece.
6. Finish (baste, quilt and bind) your quilt as desired.



▶ : Press seam in direction of arrow